

**bourdon tube pressure gauges**  
**aluminium case**  
**DS 10" (250 mm)**

**MGS8**



These instruments are designed for use in food, beverage, pharmaceutical, cryogenic, chemical and petrochemical processing industries, and in conventional and nuclear power plants, built to resist the most severe operating conditions, to measure gaseous or liquid media which do not have high viscosity or do not crystallize.

**1.08.1 - Standard Model**

**Design:** EN837-1.

**Safety designation:** S1 as per EN 837-2.

**Ranges:** from 0...1 to 0...1000 bar (or other equivalent units).

**Accuracy class:** 1 as per EN 837-1.

**Ambient temperature:** -13...+149 °F (-25...+65 °C).

**Process fluid temperature:** -40...+302 °F (-40...+150 °C).

**Thermal drift:** ±0,4 % / 10 K of range (starting from 68°F - 20°C).

**Working pressure:**

100% of FSV for static pressure;

90% of FSV for pulsating pressure.

**Over pressure limit:** 30% of FSV (max 12 hours).

**Protection degree:** IP 55 as per IEC 529.

**Socket material:** AISI 316L st.st.

**Bourdon tube:** AISI 316L st.st. seamless tube.

**Case:** black painted aluminium.

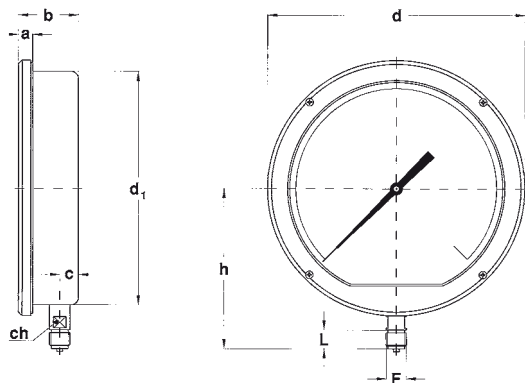
**Ring:** black painted aluminium.

**Window:** tempered glass.

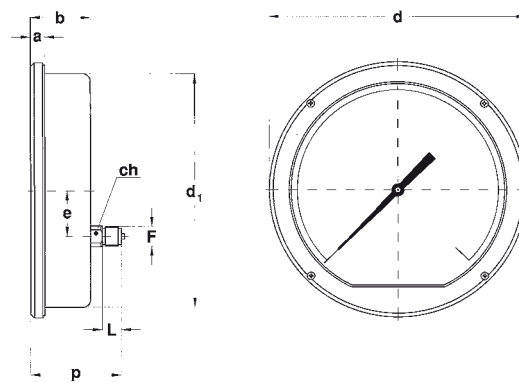
**Movement:** stainless steel.

**Dial:** aluminium, white with black markings.

**Pointer:** not adjustable, aluminium, black.



**A - LOWER CONNECTION**



**D - BACK CONNECTION**

Mounting	F	a	b	c	d	d <sub>1</sub>	e	h	p	ch	L	Weight
Lower	<b>41M</b> - G 1/2 A	0.59"	2.48"	0.76"	10.62"	9.72"		6.69"		0.66"	0.78"	6.83 lbs
	<b>43M</b> - 1/2-14 NPT	(15)	(63)	(19,5)	(270)	(247)		(170)		(17)	(20)	(3,1 kg)
Back	<b>41M</b> - G 1/2 A	0.59"	2.48"		10.62"	9.72"	1.88"		3.37"	0.86"	0.78"	7.16 lbs
	<b>43M</b> - 1/2-14 NPT	(15)	(63)		(270)	(247)	(47,8)		(95,5)	(22)	(20)	(3,25 kg)

**OPTIONS**

<b>K06</b> - Accuracy class 0.6 as per EN 837-1(1)
<b>P02</b> - Oxygen service

(1) available only for ranges from 0...30 to 0...600 psi (from 0...2,5 to 0...400 bar)

**"HOW TO ORDER" SEQUENCE**

Section / Model / Case / Mounting / Diameter / Range / Process connection / Options  
**1 08 1 A I 41M K06...P02**  
**D 43M**