

# diaphragm pressure switches ATEX flameproof enclosure

# 3.45



**CE** **Ex** II 2 GD Ex d IIC T6 Ex tD A21 IP65 T85°C

**Certificate :**  
**CESI 04 ATEX 027**

These flameproof electrical apparatus comply with European Directive ATEX 94/9/EC, for group II and category 2 GD. They are suitable for a variety of uses in hazardous zones 1, 2, 21 and 22 in which the use of flameproof instrument is required. The sensing element is a metallic diaphragm and acts directly on the microswitch through a self-centering pivot. The simplicity of the design, without levers, cams or similar mechanisms, gives the unit an exceptionally long working life.

## 3.45 - Standard Model

**Type of ignition protection:** Ex d IIC T6 as per EN 60079-0, EN 60079-1 and Ex tD A21 IP65 T85°C as per EN 61241-0, EN 61241-1.

**Protection:** IP 65 as per EN 60529.

**Ranges:** 0...40 mbar / 0...600mbar; -40...0 mbar / -600...0 mbar.

**Electrical specifications:** N. 1...2 SPDT microswitches (see microswitches table).

**Differential:** fixed.

**Repeatability:** ≤ 1% of the full setting value.

**Set-point adjustment:** internal, micrometric adjustable.

**Earth contacts:** N. 1 internal, N. 1 external.

**Process fluid temperature:** -4...+140°F (-20...+60 °C).

**Ambient temperature:** -4...+149°F (-20...+65 °C). **Thermal drift:** ≤ 0,027% / °F (≤ 0,05% / °C).

**Process connection:** AISI 316 st.st.

**Elastic element:** AISI 316 st.st. diaphragm. PTFE gasket.

**Case:** aluminium, blue polyurethane painted.

**Cover:** aluminium, beige polyurethane painted.

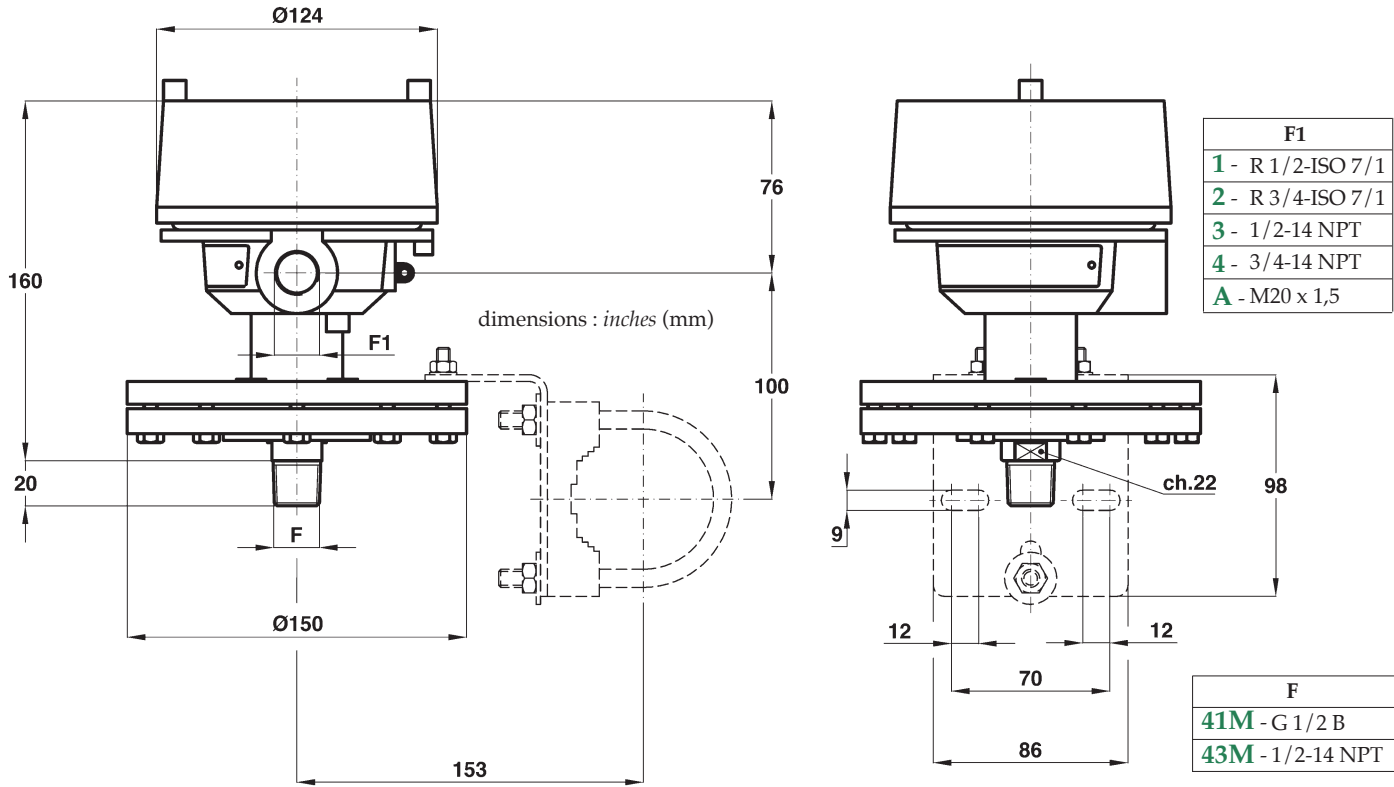
**Tag:** AISI 304 st.st., etched.

**Tell-tale vents:** polypropylene.

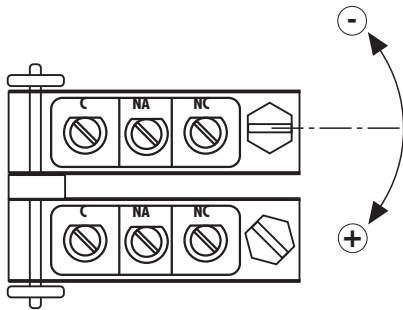
Setting ranges (1)	Test pressure	Differential 1 micro (2)	Differential 2 micro (2)
5...40 mbar	0,5 bar	4 mbar	5 mbar
5...60 mbar	0,5 bar	4 mbar	5 mbar
6...100 mbar	0,5 bar	4 mbar	6 mbar
9...160 mbar	0,5 bar	6 mbar	9 mbar
9...250 mbar	1 bar	6 mbar	9 mbar
15...400 mbar	1 bar	10 mbar	15 mbar
18...600 mbar	1 bar	12 mbar	18 mbar

(1) also available for vacuum and compound

(2) differential and minimum set-point values for microswitches cod. I, L, N, R, S, T, U, V are 300% of those shown in table.



Set- point adjustment



MICROSWITCHE  
ohmic load

Singolo / Doppio	Type	250	125	24
		Vac	Vac	Vdc
C/D	std.	15A	15A	0,1A
G/H	SPLASH	15A	15A	0,1A
I/L	goldplated		1A	0,1A
M/P	inert gas filled	15A	15A	0,1A
N/R	goldplated and inert gas filled		1A	0,1A
S/T	SPLASH VDC	15A	15A	6A
U/V	inert gas filled VDC	15A	15A	6A

OPTIONS

M26 - PTFE diaphragm	M29 - Tantalum diaphragm
S16 - Wall mounting bracket	S31 - 2" stake's mounting bracket
T01 - Tropicalization	

(1) Monel or Hastelloy C diaphragm.

"HOW TO ORDER" SEQUENCE

Section	Model	Set-point Adjustment	Microswitch	Electrical connection	Process connection	ATEX	Options
3	45	C, D, G, H I, L, M, P N, R, E S, T, U, V	1 2 3 4 A	41M 43M 53M 97M	2D2	M26...S31	