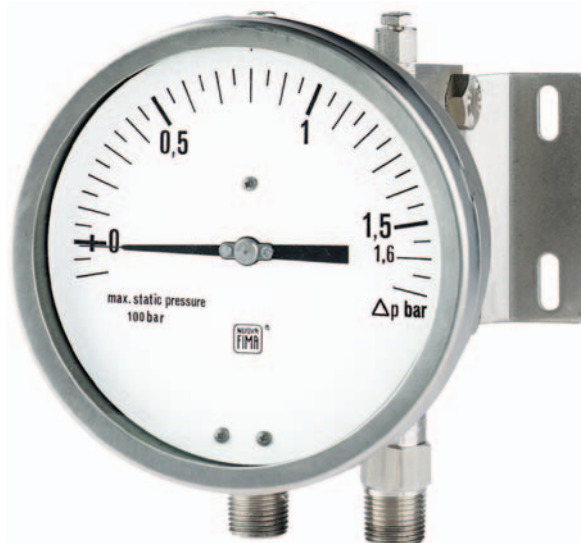


# differential pressure gauges PN 100 with single diaphragm DS 6" (150mm)

# MD13



These instruments are used to check differential pressures of liquids which do not have high viscosity and do not crystallize. In presence of high temperature, high viscosity and corrosive process fluid these instruments can be fitted with remote mounting diaphragm seals.

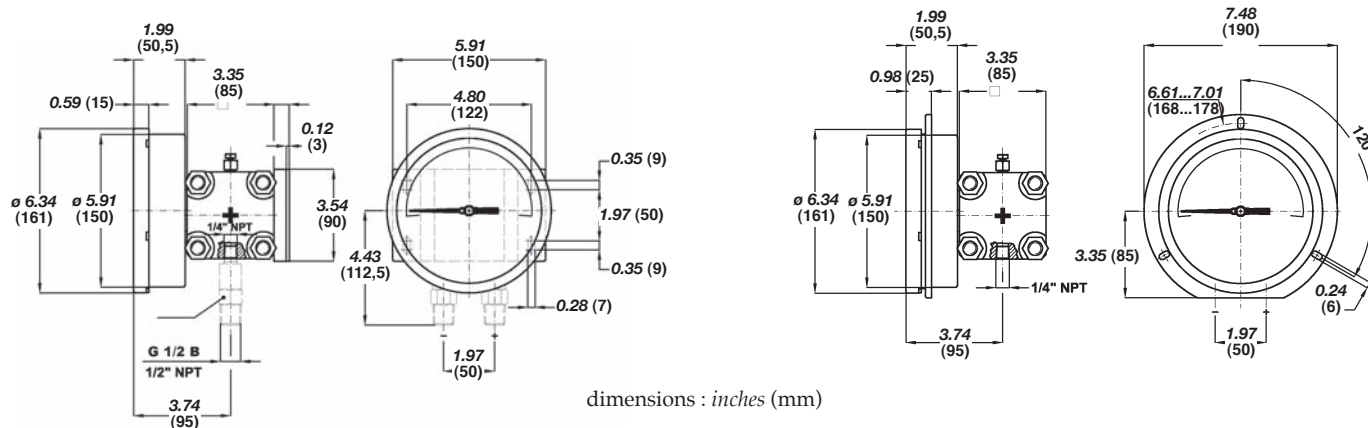
## 2.13.1 - Standard Model

**Accuracy class:** 2,5 % as per EN 837.  
**Scale amplitude:** 180°.  
**Static Pressure:** max 1500 psi (100 bar).  
**Ambient temperature:** -13...+149°F (-25...+65 °C.)  
**Process fluid temperature:** +302°F (+150 °C).  
**Thermal drift:** ± 0,8 % every ±50°F (± 10° C) of ambient temperature  
**Protection degree:** IP 55 as per IEC 529.  
**Socket material:** AISI 316L st.st.  
**Elastic element:** Duratherm diaphragm.  
**Gasket:** VITON and PTFE.  
**Case:** AISI 304 st.st.  
**Ring:** AISI 304 st.st., bayonet lock  
**Window:** tempered glass.  
**Movement:** stainless steel.  
**Dial:** aluminium, white with black markings  
**Pointer:** adjustable, aluminium, black.  
**Weight:** 10,58 lbs (4,8 kg).

RANGE	mbar	mmH <sub>2</sub> O	bar	kPa
0...0,6			♦	
0... 1			♦	
0...1,6			♦	
0...2,5			♦	
0...4			♦	
0...6			♦	
0...10			♦	
0...16			♦	
0...25			♦	
0...40				♦
0...60				♦
0...100				♦
0...160				♦
0...250				♦
0...400	♦			♦
0...600	♦			♦
0...1000	♦			♦
0...1600	♦			
0...2500	♦			
0...4000		♦		
0...6000		♦		
0...10000		♦		



For use in potentially explosive atmospheres, instruments must be designed in conformity to ATEX 94/9/CE.  
 This version is shown on separate data sheet available on request.



**Lower (Mounting code A) , with back flange (Option code C)**

**Lower (Mounting code A) , with front flange (Option code E)**

## OPTIONS

<b>C</b> - Back flange		<b>R10</b> - Glycerine filled case. Ambient temp. +59...+149 °F ( +15...+65 °C). (2)
<b>E</b> - Front flange	(1) (2)	<b>R11</b> - Silicon oil filled case. Ambient temp. -40...+149°F (-40...+65 °C).
Case and ring AISI 316 st.st.		<b>S31</b> - 2" pipe mounting bracket
<b>E65</b> - Protection degree IP65	(2)	<b>T01</b> - Tropicalization (2)
<b>L22</b> - Maximum pointer IP65 on Plexiglas window	(2)	<b>T32</b> - Safety glass window (3)
<b>2G9</b> - Execution: ATEX : II 2G c	(2)	Electric contacts
<b>2D9</b> - Execution: ATEX : II 2GD c		

(1) For constructive details see Atex execution catalogue sheet

(3) Not available with electric contacts

(2) Codes, description and wiring on data-sheet MN14

## "HOW TO ORDER" SEQUENCE

Section / Model / Case / Mounting / Diameter / Special version / Range / Process connection / Options  
**2 13 1 A G --- 41M - G 1/2 A M C, E**  
**43M - 1/2" NPT M E65...T32**  
**23F - 1/4" NPT F**