



Diaphragm seals are designed to isolate the sensing element of pressure gauges and pressure switches from process fluids that may be corrosive, viscous, sedimentous and/or with a high temperature. The diaphragm is welded to the upper body, to ensure separation of the filling fluid from the process medium. Faced diaphragm position enables deep cleaning of the surface while the quick-connection Clamp enables frequent removal from the process during sterilization and cleaning operations, a common requirement in the food processing industry.

4.ALI - MGS9/AL

Working pressure: from 0...15 to 0...600 psi (from 0...1 to 0...40 bar), as from RANGE table .

Process temperature: -4...+248°F (-20°C...+120°C).

Accuracy*: (add to instrument accuracy) ±0,5% for direct mounting.

Instrument connection: AISI 316 st.st..

Diaphragm: welded,

4 - AISI 316L st.st.

Process connection :

5 - AISI 316 st.st.

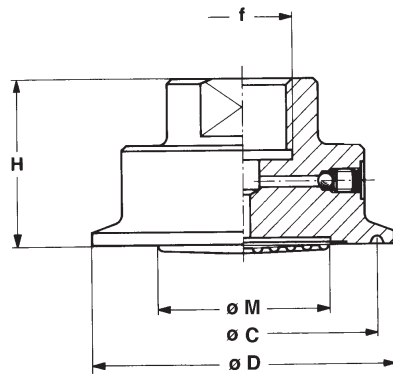
Filling liquid: mineral oil (FDA approved)for food industry.

RANGES (1)

Pressure gauges DS	1" Clamp	1" 1/2 Clamp	2" Clamp	2" 1/2 Clamp	3" Clamp
2.5" (63mm)	0...100/0...600 psi (0...6/0...40 bar)	0...60/0...600 psi (0...4/0...40 bar)			
4" (100mm)		0...60/0...600 psi (0...4/0...40 bar)	0...30/0...600 psi (0...1,6/0...40 bar)	0...15/0...400 psi (0...1/0...25 bar)	0...15/0...400 psi (0...1/0...25 bar)
6" (150mm)		0...100/0...600 psi (0...6/0...40 bar)	0...30/0...600 psi (0...2,5/0...40 bar)	0...30/0...400 psi (0...1,6/0...25 bar)	0...30/0...400 psi (0...1,6/0...25 bar)

(1) Vacuum and compound are available upon request

* at +68°F (20 °C) process fluid temperature, or state temperature when ordering



DN Clamp	Code	C	H	D	f	M
1"	6T0	1,71"	1,18"	1,98"	21M - G 1/4 A	0,78"
1" 1/2	AT0	1,71"	1,37"	1,98"	21M - G 1/4 A 41M - G 1/2 A	1,18"
2"	BT0	2,22"	1,37"	2,51"	41M - G 1/2 A	1,57"
2" 1/2	DT0	2,77"	1,37"	3,05"	41M - G 1/2 A	1,96"

dimensions : inches

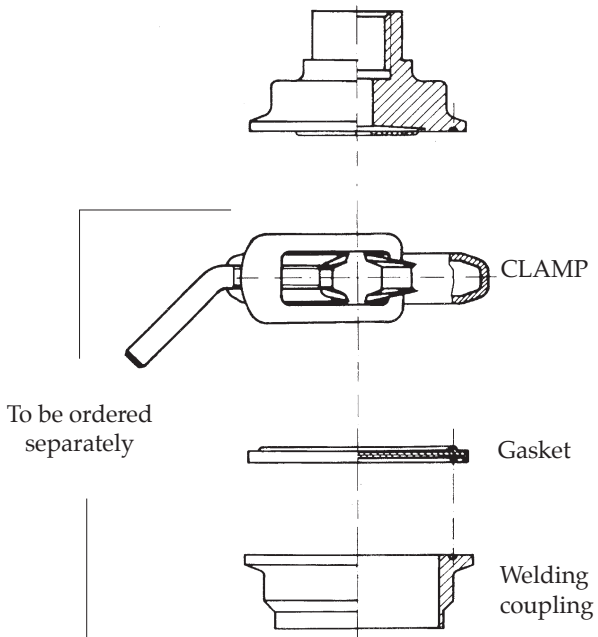
ASSEMBLING

All diaphragm seals are mounted on the instruments and fixed by an aluminium protection label

D - Direct
T - Cooling extension

OPTIONS

C05 - Helium Test
P04 - Dye penetrant test



"HOW TO ORDER" SEQUENCE

Section/Model/Connection material/Diaphragm material/Process Connection/Instrument connection/Assembling/Options
4 ALI 4 5 6T0...DT0 21F - G 1/4 F 41F - G 1/2 F D, T C05, P04