

diaphragm pressure gauge for absolute pressures DS 4", 6" (100-150mm)

MN12/18 ABS



The measurement element composed by a concentric waving diaphragm, separates an upper housing called "of reference" which is empty, from a lower housing where the fluid pressure gets in. The upper housing is isolated by a bellows from the atmospheric pressure and it allows to transmit the bending diaphragm movement, under the fluid pressure action, to the pointer through a joint and a linkage. In order to be a suitable support for the diaphragm and to ensure a high instrument resistance to overpressure, the upper part of the reference housing is as rippled as the diaphragm. The instrument case is exposed to the atmospheric pressure therefore it is possible to install optional accessories inside or outside it.

2.43.1 - Standard Model

Ranges: from 0...60 to 0...1600 mbar Abs, or equivalent units.

Accuracy : 1,6 as per EN 837-3, at 68 °F (20°C) or a value of specify temperature in order.

Ambient temperature: -13...+149 °F (-25...+65 °C).

Process fluid temperature: +212 °F (+100 °C).

Working pressure: max 75% of the FSV.

Overpressure: max 3,5 bar abs for ranges ≤400 m bar abs;
max 6 bar abs for ranges 0,6...1,6 bar abs.

Thermal drift: ± 0,6% every ± 50°F (± 10° C) of ambient temperature

Protection: IP 55 as per IEC 529.

Process connection: AISI 316 st.st.

Elastic element: AISI 316 st.st. diaphragm.

Seal bellows: AISI 321 st.st.

Case: AISI 304 st.st.

Ring: AISI 304 st.st. bayonet lock.

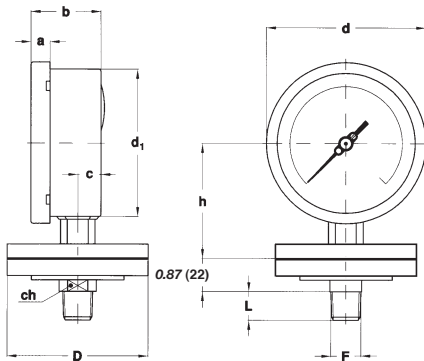
Window: glass, 4 mm thick.

Movement: stainless steel with sector stiffened.

Dial: aluminium, white with black markings.

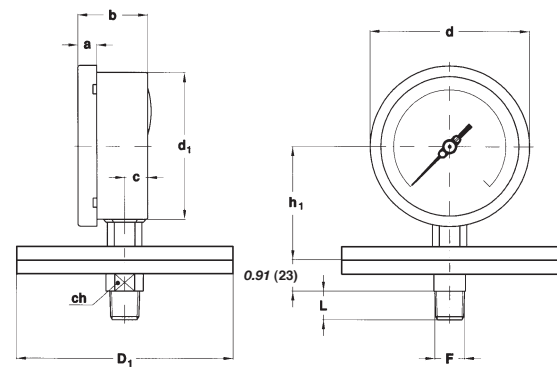
Pointer: adjustable, aluminium, black.

RANGE
mbar abs
0...60
0...100
0...160
0...250
0...400
0...600
0...1000
0...1600



0,6...1,6 bar Abs

A - LOWER CONNECTION



60...400 mbar Abs

RANGE	DS	F	a	b	c	d	d ₁	h	h ₁	D	D ₁	ch	L	Weight
60...400 mbar Abs	E 4" (100mm)	41M G 1/2 B	0.51 (13)	1.91 (48,5)	0.63 (16,1)	4.35 (110,6)	3.98 (101)	- -	3.09 (78,5)	- -	5.91 (150)	0.87 (22)	0.79 (20)	5.73 lbs 2,6 kg
	G 6" (150mm)		0.59 (15)	1.99 (50,5)	0.65 (16,5)	6.34 (161)	5.89 (149,6)	- -	4.36 (110,8)	- -	5.91 (150)	0.87 (22)	0.79 (20)	6.50 lbs 2,95 kg
0,6 ...1,6 bar Abs	E 4" (100mm)	43M 1/2-14 NPT	0.51 (13)	1.91 (48,5)	0.63 (16,1)	4.35 (110,6)	3.98 (101)	3.13 (79,5)	- -	3.86 (98)	- -	0.87 (22)	0.79 (20)	3.85 lbs 1,75 kg
	G 6" (150mm)		0.59 (15)	1.99 (50,5)	0.65 (16,5)	6.34 (161)	5.89 (149,6)	4.40 (111,8)	- -	3.86 (98)	- -	0.87 (22)	0.79 (20)	4.62 lbs 2,1 kg

dimensions : inches (mm)

OPTIONS

Electric contacts (1)
E65 - Protection IP 65
T01 - Tropicalization
T32 - Safety glass

(1) Code and description see data sheet MN14/M

"HOW TO ORDER" SEQUENCE

Section / Model / Case / Mounting / Diameter / Range / Process connection / Options
2 43 1 A E 41M E65...T32
G 43M