



These devices are used to protect pressure gauges and pressure switches from overpressure. If, due to occasional faults, the pressure exceeds the maximum allowed value, the device automatically by-passes the gauge until the pressure value is back to normal.

5.480 - MP4/8 - bellow overload protection device

Setting range: 3...40 *psi* (0,2...3 bar).

Resetting value: -30% of setting value.

Working temperature: -13...+212 °F (-25...+100° C).

Maximum working pressure: 7000 *psi* (500 bar).

Operating principle: bellow.

Body and wetted parts: AISI 316L st.st. (Cod. 4)

Bellow: AISI 316 Ti st.st.

Gaskets: VITON.

Connections (process-instrument):

G 1/2 B M x G 1/2 B F;

1/2" NPT M x 1/2" NPT F;

G 1/4 B M x G 1/4 B F;

1/4" NPT M x 1/4" NPT F .

5.490 - MP4/9 - piston overload protection device

Setting range: 40...5000 *psi* (3...350 bar).

Resetting value: -30% of setting value.

Working temperature: -13...+212 °F (-25...+100° C).

Maximum working pressure: 7000 *psi* (500 bar).

Operating principle: bellow.

Body, piston and wetted parts: AISI 316L st.st. (Cod. 4)

Gaskets: VITON.

Connections (process-instrument):

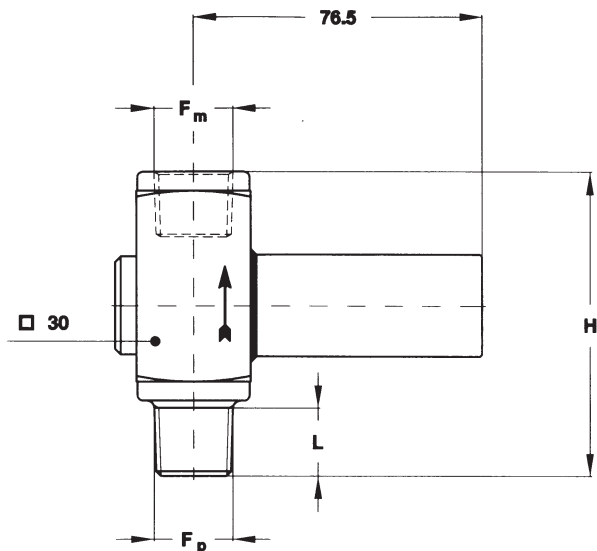
G 1/2 B M x G 1/2 B F;

1/2" NPT M x 1/2" NPT F;

G 1/4 B M x G 1/4 B F;

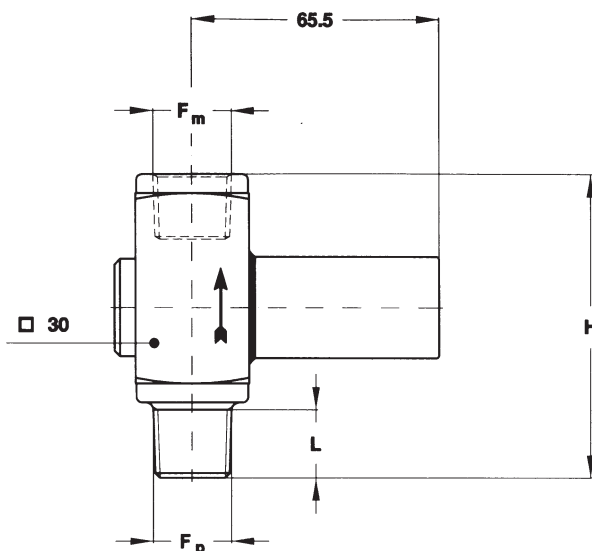
1/4" NPT M x 1/4" NPT F .

MP4/8



Weight : 1.23 lbs (0,56 kg)

MP4/9



Weight : 1.10 lbs (0,50 kg)

dimensions : inches (mm)

Cod.	Fp-Fm	L	H
41M x 41F	G 1/2 BM x G 1/2 BF	0.78 (20)	3.14 (80)
43M x 43F	1/2" NPT M x 1/2" NPT F	0.78 (20)	3.14 (80)
21M x 21F	G 1/4 BM x G 1/4 BF	0.59 (15)	2.95 (75)
23M x 23F	1/4" NPT M x 1/4" NPT F	0.59 (15)	2.95 (75)

Cod.	Fp-Fm	L	H
41M x 41F	G 1/2 BM x G 1/2 BF	0.78 (20)	3.14 (80)
43M x 43F	1/2" NPT M x 1/2" NPT F	0.78 (20)	3.14 (80)
21M x 21F	G 1/4 BM x G 1/4 BF	0.59 (15)	2.95 (75)
23M x 23F	1/4" NPT M x 1/4" NPT F	0.59 (15)	2.95 (75)

"HOW TO ORDER" SEQUENCE

Section / Model/ Material / Process connection / Instrument connection / Options

5 480 4 **21M, 41M** **21F, 41F**
 490 **23M, 43M** **23F, 43F**