

# bourdon tube pressure gauges DS 6" (150mm)

# MS1



**CE** Compliance to requirement of  
PED 97/23/EC

They can be used with gaseous or liquid media which do not corrode copper alloy and which do not have high viscosity or do not cristalize.

## 1.01.1 - Standard Model

**Design:** EN837-1.

**Safety designation:** S1 as per EN 837-2.

**Ranges:** from 0...15 to 0...15000 *psi* (from 0...1 to 0...1000 bar or equivalent units).

**Accuracy class:** 1,6 as per EN 837-1.

**Ambient temperature:** -13...+149°F (-25...+65 °C).

**Process fluid temperature:**

13...+149°F (-25...+65 °C) for ranges ≤ 600 *psi* (40 bar);

-13...+ 248°F (-25...+120 °C) for ranges ≥ 1000 *psi* (60 bar).

**Thermal drift:** max ±0,4 % / 10 K of range (starting from +68°F - 20°C).

**Working pressure:**

75% of FSV for static pressure;

66% of FSV for pulsating pressure;

100% of FSV for static pressure (max 12 h).

**Overpressure** (max 15 min):

25% of FSV for ranges ≤ 1500 *psi* (100 bar);

15% of FSV for ranges more than 1500 *psi* (100 bar).

**Protection degree:** IP 44 as per IEC 529.

**Socket material:** copper alloy, internal restrictor Ø 0.03" (0,8 mm).

**Bourdon tube:** copper alloy for ranges ≤ 600 *psi* (40 bar);

AISI 316L st.st. for ranges > 1000 *psi* (60 bar).

**Case:** stainless steel.

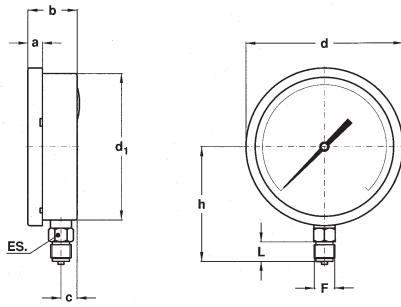
**Ring:** stainless steel, bayonet lock

**Window:** tempered glass.

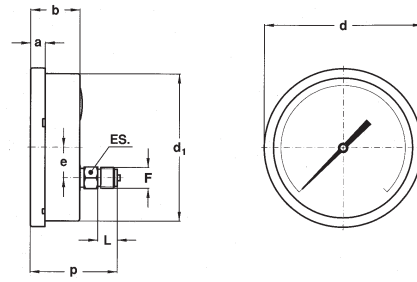
**Movement:** copper alloy.

**Dial:** aluminium, white with black markings

**Pointer:** non adjustable, aluminium, black



**A - LOWER CONNECTION**



**D - BACK CONNECTION**

Mounting	F	a	b	c	d	d <sub>1</sub>	e	h	p	L	ES	Weight
Lower	<b>41M</b> - G 1/2 A	0.59"	1.98"	0.16"	6.33"	5.88"		4.60"		0.78"	0.86"	2.44 lbs
	<b>43M</b> - 1/2-14 NPT	(15)	(50,5)	(16,5)	(161)	(149,6)		(117)		(20)	(22)	(1,11 kg)
Back	<b>41M</b> - G 1/2 A	0.59"	1.98"		6.33"	5.88"	1.22"		3.50"	0.78"	0.86"	2.20 lbs
	<b>43M</b> - 1/2-14 NPT	(15)	(50,5)		(161)	(149,6)	(31)		(89)	(20)	(22)	(1,0 kg)

dimensions : inches (mm)

**OPTIONS**

<b>B</b> - "U"-clamp, for back connection pressure gauges
<b>C</b> - Back flange, for lower connection pressure gauges
<b>E</b> - Front flange, for back connection pressure gauges
<b>K10</b> - Accuracy class 1,0%
<b>L21</b> - Maximum pointer IP 44 on plexiglas window (1)
<b>T32</b> - Safety glass window

(1) Accuracy refers to the area free from the maximum pointer action.

**"HOW TO ORDER" SEQUENCE**

Section / Model / Case / Mounting / Diameter / Range / Process connection / Options  
**1 01 1 A G 41M B, C, E**  
**D 43M K10...T32**