

intrinsically safe pressure transmitter ATEX version, with local readout, DS 4" (100mm)

MX 18

- ✓ - **Double elastic element:** Bourdon tube and electronic sensor.
- ✓ - **EMC immunity:** as per EN 61326.
- ✓ - **Calibration:** adjustable.



Certificate :
CESI 06 ATEX 004 X

Instrument classification:

- category 1/2, atmosphere type GD, ignition protections "c" as per EN 13463-1, EN 13463-5 and Ex ia IIC as per EN 60079-0, EN 60079-11, EN 60079-26 and Ex ia D 20 as per EN 61241-0, EN 61241-11: II 1/2 GD c Ex ia IIC Ex iaD 20 (Cod. 2GE).

Temperature classes ⁽¹⁾,

- T6 (T85°C)Ta ≤ 60 °C (cod. T6B);
- T5 (T100°C)Ta ≤ 80 °C (cod. T5B).

Ranges: from 0...15 to 0...20000 psi
(from 0...1 to 0...1600 bar or equivalent units).

Accuracy (% FSV):

local readout, ≤ 0,5;
transmitter, ≤ 0,25 typical; ≤ 0,5 max.

Working pressure:

100% of FSV for static pressure;
90% of FSV for pulsating pressure ⁽²⁾.

Temporary over pressure limit: 30% of FSV.

Output signals: 4...20 mA (cod. 1).

Calibration: limit-point as per DIN 16086.

Compensated temperature range: 3...+176 °F; (0...+80 °C).

Thermal drift: ≤ 0.011 % span / °F.

Annual drift: ≤ 0,2 % of span.

Response time (10...90%): < 3 ms.

8.X28.1 - Standard Model

Safety designation: S1 as per EN 837-2.

Electric connection: junction box as per VDE with exit for cables
ø 0.27"...0.51" (ø 7...13 mm).

Protection degree: IP 65 as per IEC 529.

Socket material: AISI 316L st.st.

Bourdon tube: AISI 316L st.st. seamless tube.

Case: stainless steel.

Ring: stainless steel, bayonet lock.

Window: safety glass.

Movement: stainless steel with internal limit stops for minimum and maximum pressure.

Dial: aluminium, white with black markings.

Pointer: adjustable, aluminium, black.

8.X28.3 - Filled Model

Ranges: from 0...15 psi (0...1 bar).

Filling liquid: dielectric oil.

Protection degree: IP 65 as per IEC 529.

Ambient temperature: 14...+149 °F (-10...+65 °C).

Other features: as Standard Model.

(1) "Tp" : fluid process temperature ≤ "Ta" : ambient temperature;
"Tp" & "Ta" ≥ -20 °C

(2) Gaseous pulsating fluids are to be avoided.

Compliance to requirements of directives:

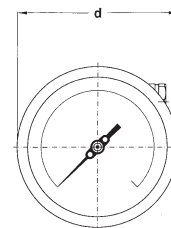
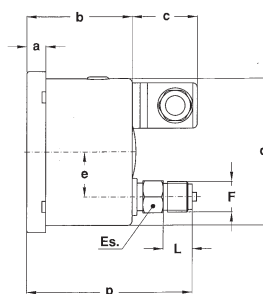
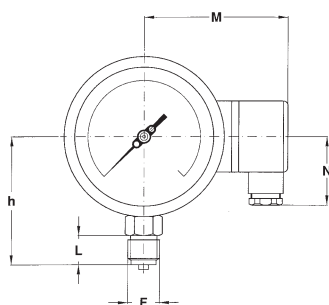
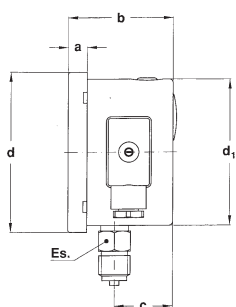
ATEX 94/9/CE - EMC 89/336/CEE - PED 97/23/CE - RoHS 02/95/CE - RAEE 02/96/CE - 03/108/CE

intrinsically safe pressure transmitter, ATEX version with local readout DS 4" (100mm)

MX 18

RBI - 07/08

IN ORDER TO IMPROVE THEIR PRODUCTION, MESSRS. NUOVA FIMA RESERVE THE RIGHT TO THEMSELVES TO MAKE ALL THE MODIFICATIONS THAT THEY DEEM INDISPENSABLE AT ANY TIME. UPDATED DATA SHEETS ARE AVAILABLE ON SITE: www.nuovafima.com



A - LOWER CONNECTION

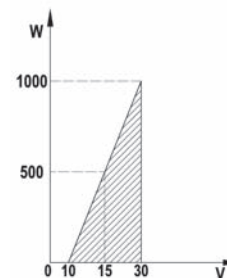
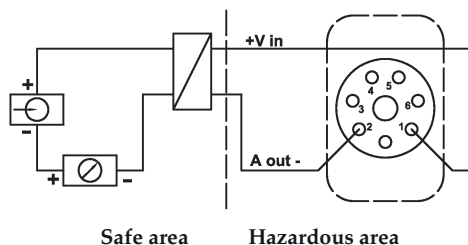
D - BACK CONNECTION

Mounting	F	a	b	c	d	d ₁	e	h	p	ES	L	N	M	Weight (1)
Lower	41M - G 1/2 A	0.51" (13)	2.85" (72,3)	1.57" (40,1)	4.35" (110,6)	3.97" (101)		3.48" (88,5)	4.47" (113,7)	0.86" (22)	0.78" (20)	1.35" (34,5)	3.55" (90,4)	1.67 lbs (0,76 kg)
Back	41M - G 1/2 A	0.51" (13)	2.85" (72,3)	1.33" (34)	4.35" (110,6)	3.97" (101)	1.22" (31)	3.28" (83,5)	4.20" (106,7)	0.86" (22)	0.51" (13)			1.69 lbs (0,77 kg)

dimensions : inches (mm)

(1) add 0.85 lbs (0,39 kg) when filled

Electrical features	
N. of wires	2
Load (Ohm)	$R_L \leq (V_{in}-10)/0,02$
Supply: +V _{in}	10...30
Max current (I _i)	≤ 100 mA
Max power (P _i)	1,0 W
Capacitance (C _i)	19 nF
Inductivity (L _i)	0 mH



OPTIONS

C - Back flange, for lower connection pressure gauges
CRP - CR gasket, for pressure ranges ≤ 1500 psi (100 bar)
EPD - EPDM gasket, for pressure ranges ≤ 1500 psi (100 bar)
NBR - NBR gasket
FPM - VITON gasket; for pressure ranges ≤ 8500 psi (600 bar)

"HOW TO ORDER" SEQUENCE

Section/Model/Case/Mounting/Diameter/Range/	Process connection	/Output signal/Classification/Temperature/	Gasket/Options
8 X28 1 A E	41M	1 2GE T6B T5B	CRP EPD NBR FPM C
3 D			