

SF₆ gas density monitors

ST SF6



- ✓ - High voltage strength.
- ✓ - EMC immunity: as per EN 61326.
- ✓ - Wiring: shieldless cable.
- ✓ - Nominal temperature range: -40...+140 °F (-40...+60 °C).
- ✓ - Outdoor case.

CE Compliance to requirements of directives:
EMC 89/336/CEE - PED 97/23/CE.

These instruments measure the SF₆ gas density in ermetically sealed tanks, registering both pressure and temperature of the gas. Density variations means leakage in the system. Pressure variations due to temperature variations in the closed system do not affect the output signal.

Ranges: 0...10/0...80 gr/litre (0...1,6 / 0...11,33 bar Abs).

Accuracy (% of span): $\leq \pm 3$, over the entire nominal temperature range.

Annual drift: $\leq 0,3$ % of span..

Storage and working temperature: -40...+176 °F (-40...+80 °C).

Output signal: 4...20 mA.

Supply and max load: see on page 2.

Zero and range calibration: not necessary.

Nominal temperature range: -40...+140 °C (-40...+60 °C).

Process connection: AISI 316L.

Sensor: ceramic.

Gasket: EPDM.

Leak Test: Helium Test Search Test (1×10^{-7} mbar \times l \times s⁻¹)

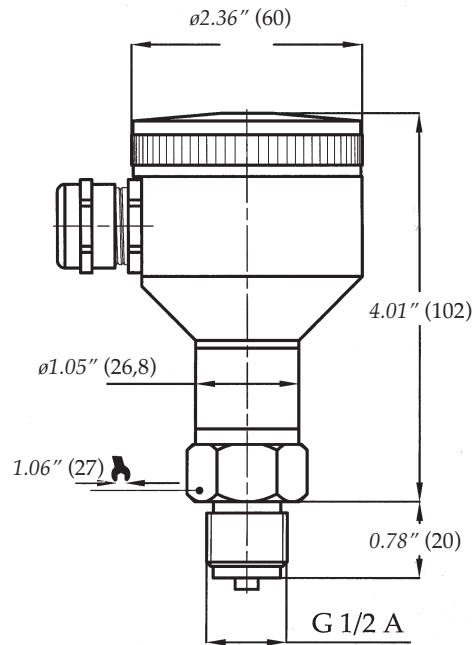
Case and cover: stainless steel.

Electric connection: terminal block, with PG13,5 cable gland.

Protection degree: IP 67 as per IEC 529.

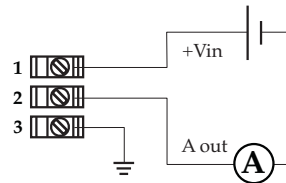
Weight: 0.31 lbs (0,7 kg)

Ranges		Overpressure
gr/litre	T.a. 20°C, bar Abs	bar, relatives
0...10	1,63	5
0...16	2,58	5
0...25	3,97	10
0...40	6,16	10
0...60	8,87	20
0...80	11,33	20



dimensions : inches (mm)

Output signal	4...20 mA
N. of wires	2
Load (Ohm)	$R_L \leq (V_{in}-10)/0,02$
Supply: +Vin	10...30 Vdc
Ground	(pls. refer to Installation Manual)



“HOW TO ORDER” SEQUENCE

Section / Model/ Special version / Range / Process connection / Output signal / Options

